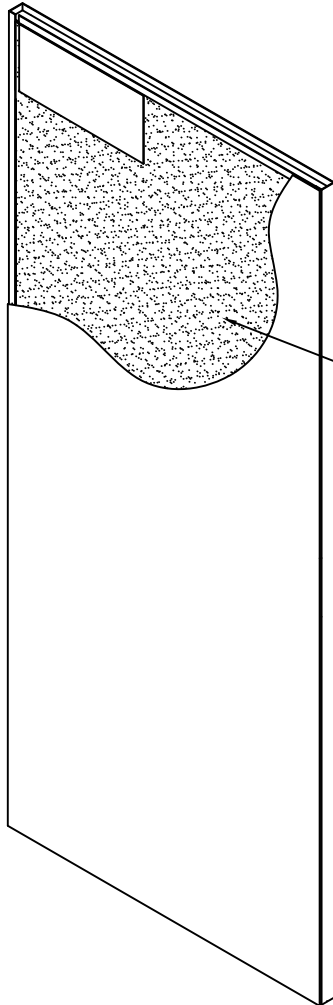


**ASSA ABLOY**

**1-3/4" ARMORSHIELD LEVEL 4 THRU 8  
BULLET RESISTANT DOOR AND FRAME SYSTEM**

TESTED IN ACCORDANCE WITH STANDARD FOR SAFETY  
BULLET RESISTANT EQUIPMENT TEST: UL 752



PROPRIETARY  
BALLASTIC ARMOR

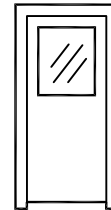
*Vertical stiffeners placed to support the  
bullet resistant armor.  
Conforms to UL 752*

*Suggested Use:  
Interior or Exterior ...*

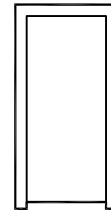
*Openings For The Protection Of:  
Personnel Or Equipment,  
Telephone Repeater Stations,  
Unmanned Utilities Stations,  
ATM Buildings, Shooting range*

**DOOR DESIGNS**

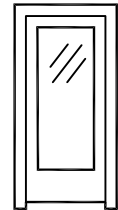
12" x 12" MIN.  
VISIBLE GLASS



G



F



FG

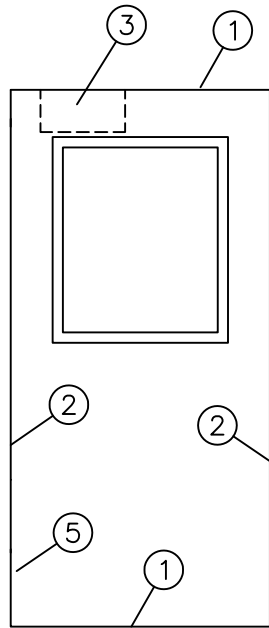
**UL 752 RATINGS of BULLET RESISTANT MATERIALS**

RRatings	Ammunition	Grains	Weight	Velocity		Number of Shots
				MIN. (FPS)	MAX. (FPS)	
<b>LEVEL 4</b>	.30 Caliber Rifle Lead Core Soft Point	180	11.7	2540	2794	1
<b>LEVEL 5</b>	7.62mm Rifle Lead Core Full Metal Copper Jacket, Military Ball	150	9.7	2750	3025	1
<b>LEVEL 6</b>	9mm Full Metal Copper Jacket with Lead Core	124	8.0	1400	1540	5
<b>LEVEL 7</b>	5.56mm Rifle Full Metal Copper Jacket with Lead Core	55	3.56	3080	3383	5
<b>LEVEL 8</b>	7.62mm Rifle Lead Core Full Metal Copper Jacket, Military Ball	150	9.7	2750	3025	5

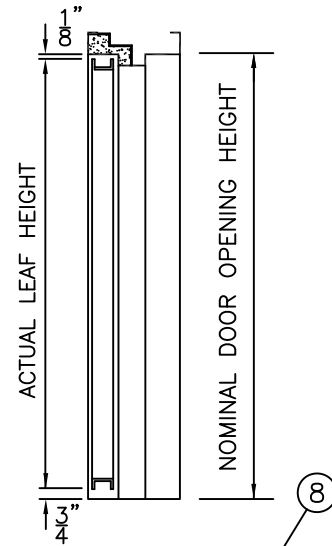
D8-1

08/20/19

D8-2

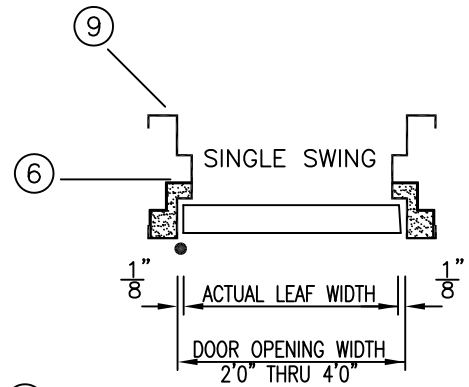
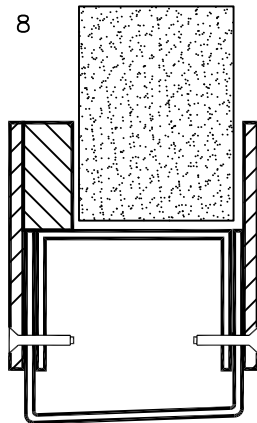


ELEVATION



VERTICAL SECTION

OPTIONAL:  
LEVEL 4 THRU 8  
GLASS KIT

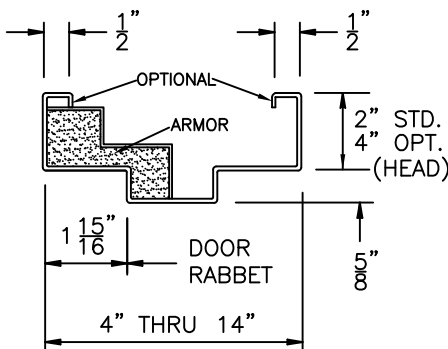


HORIZONTAL SECTION

GLASS KIT DESIGN MAY VARY WITH GLASS THICKNESS.  
GLASS KIT AND GLASS ARE FACTORY INSTALLED.

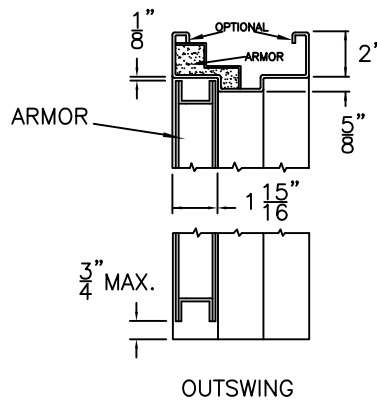
Horizontal and vertical sections shown above depict outswing armor conditions.

TYPICAL EQUAL  
RABBET PROFILE



9

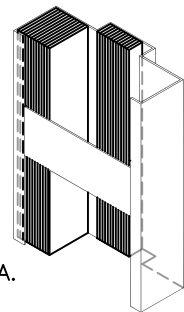
VERTICAL SECTION



OUTSWING

8

METAL STUD ANCHOR



2" WIDE, 14 GA.  
WELDED STRAP  
MAY BE USED NEAR SILL IN  
LIEU OF A FLOOR ANCHOR

6

08/20/19

(Conversion: 1" = 25.4 mm, e.g., 1-3/4" = 44.45 mm)

Experience a safer  
and more open world

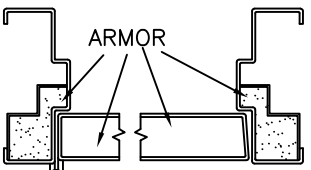
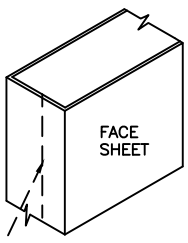
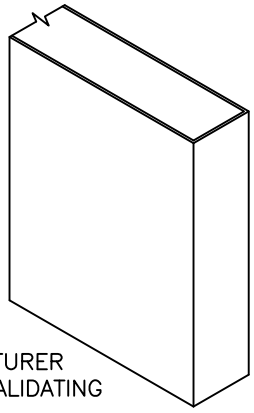
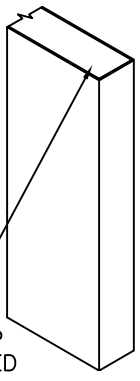
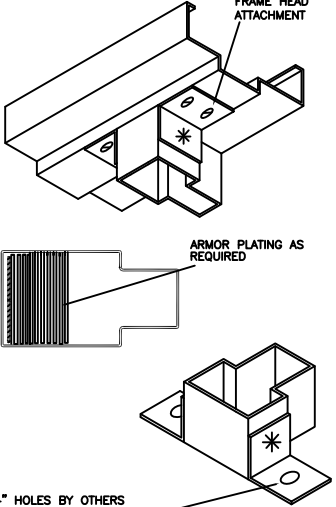
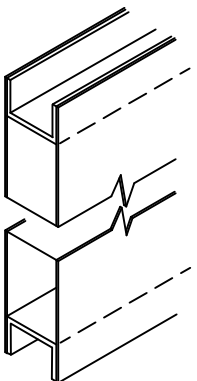
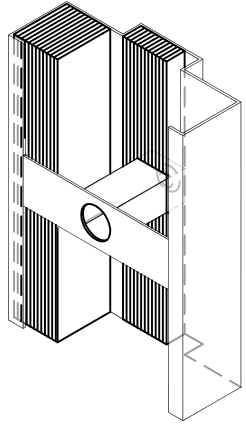
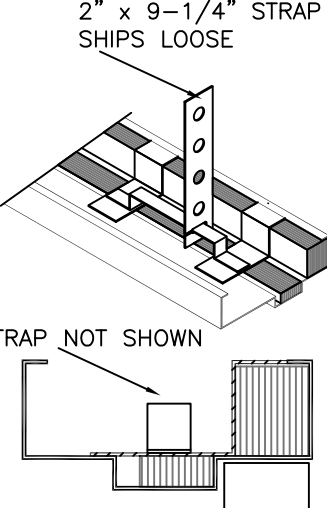
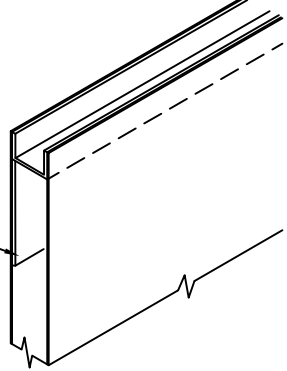


**CecoDoor**

**ASSA ABLOY**

# TECH-DATA

## ARMORSHIELD LEVEL 4 THRU 8 DOOR SYSTEM

D8-3

<p>HORIZONTAL SECTION (4)</p>  <p>ARMOR</p> <p>OUTSWING</p> <p>CONTINUOUS HINGES BY OTHERS</p> <p>MUTE HOLES NOT PROVIDED</p>	<p>DOOR CONSTRUCTION (2)</p>  <p>FACE SHEET</p> <p>OFFSET SEAMLESS EDGES</p>	<p>HARDWARE PREPARATION STANDARD (2)</p> <p>SURFACE MOUNTED ONLY</p> <p>RIM EXIT</p> <p>VERTICAL ROD EXIT</p>  <p>HARDWARE MANUFACTURER RESPONSIBLE FOR VALIDATING BULLET RESISTANCE</p>	
<p>STANDARD HINGE PREPARATION (5)</p>  <p>CONTINUOUS HINGE</p> <p>SQUARE HINGE EDGE STANDARD</p> <p>16 GAGE TOP CAP SEALED OR WELDED OPTIONAL</p>	<p>REMOVABLE MULLION (4)</p>  <p>(4) #12-24 FHMS FOR MULLION TO FRAME HEAD ATTACHMENT</p> <p>ARMOR PLATING AS REQUIRED</p> <p>1/4" HOLES BY OTHERS FOR FLOOR CONNECTION</p>	<p>16 GAGE STEEL END CHANNELS (1)</p> <p>WELDED TO BOTH FACE SHEETS</p> <p>INVERTED TOP AND BOTTOM</p>  <p>OPTIONAL TOP AND BOTTOM CAPS ARE AVAILABLE</p>	
<p>EXISTING OPENING ANCHOR (6)</p>  <p>PUNCHED AND DIMPLED FOR 3/8" BOLT. BOLTS BY OTHERS.</p>	<p>WELDED YOKE &amp; STRAP ANCHOR (6)</p>  <p>2" x 9-1/4" STRAP SHIPS LOOSE</p> <p>STRAP NOT SHOWN</p>	<p>CLOSER REINFORCEMENT (OPTIONAL) (3)</p>  <p>14 GAGE PLATE</p>	
<p>NOTE: ANCHORS MAY VARY IN APPEARANCE BASED ON THE PLACEMENT OF ARMOR. WIRE MASONRY AND STUD ANCHORS ARE AVAILABLE (NOT SHOWN).</p>			 <p><b>Ceco Door</b></p>  <p><b>ASSA ABLOY</b></p>

08/20/19

### PRODUCT SPECIFICATIONS:

1-3/4" thick ArmorShield Level 4 thru 8 bullet resistant doors shall be provided by Ceco Door Products. Doors & frames shall provide bullet resistance in accordance with UL 752. Assembly is equipped with hollow metal door, frame and crated for shipment. Door weight is 24 pounds per square foot.

**ArmorShield Level 4 thru 8 doors** are seamless design. Door edges are continuously welded seams and ground smooth. No seams are visible on faces or vertical edges. Face sheets are commercial quality 14 gage steel conforming to hot-dipped galvanized or galvanized steel (conforming to ASTM A924 and A653) - see chart below.

**ArmorShield Level 4 thru 8 frames** are double rabbet profile 14 gage steel. Frames depths vary from 4" through 14" of all welded construction. Mute holes are not provided. Adhesive silencers should be applied.

**ArmorShield Level 4 thru 8 glass** lites are optional. Minimum visible glass size is 12" x 12". Glass is factory installed.

**Hardware Provisions:** Continuous hinges are recommended. Continuous hinge edge reinforcements are optional. The door lock edge has a standard bevel (1/8" in 2") and is prepared for surface mounted hardware. Concealed hardware is not available. Surface mounted closer reinforcement is available for door and frame. Hardware manufacturer is responsible for validating bullet resistance.

**Paint:** All exposed surfaces of door and frame shall be provided with one coat of oven-cured neutral color, rust inhibitive prime paint. The primer coat is a preparatory base for necessary finish painting. Factory finish paint is not available.

### STANDARD SIZES NOMINAL DOOR OPENING

WIDTH	HEIGHT
SINGLE	
2'-0"	6'-8"
2'-4"	7'-0"
2'-6"	7'-2"
2'-8"	7'-10"
2'-10"	8'-0"
3'-0"	9'-0"
3'-4"	
3'-6"	
3'-8"	
3'-10"	
4'-0"	

FOR FIRE RATED PRODUCTS  
CONTACT THE FACTORY  
PHONE: 218-828-6256

CLASSIFIED BULLET  
RESISTANT LABELS  
NOT AVAILABLE

### MATERIAL

DOOR FACE SHEETS	BULLET RESISTANCE LEVEL	DOOR & FRAME A60 GALVANIZED	DOOR & FRAME G90 GALVANIZED	FRAME MATERIAL
14 GAGE STEEL	4 THRU 8	STD	OPT	14 GAGE

(Conversion: 1" = 25.4 mm, e.g., 1-3/4" = 44.45 mm)

